



Cable Lugs and Connectors

Product Catalogue

Also available:

- ABC Accessory Catalogue
- Heat Shrink Catalogue

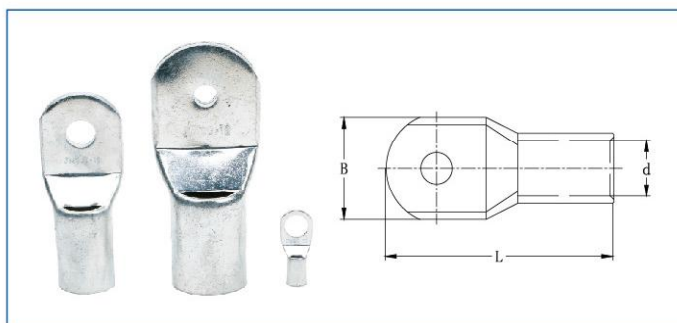
JGK, Copper Crimp Lug

- Have a viewing window to check the location of the conductor

Material: Cu \geq 99.9%

Surface: electro tin plated

Application: low voltage, indoor



Type	Conductor Size (mm ²)	Dimension			Stud Size	Pack(pcs)	Weight (Kg) 100pcs	Crimping Tool/Die
		L(mm)	d(mm)	B(mm)				
JGK1.5-4	1.5	18	1.9	7.5	M4	8,000	0.06	CK-16
JGK1.5-5		18	1.9	8	M5		0.05	
JGK1.5-6		18	1.9	9	M6		0.07	
JGK2.5-4	2.5	19	2.8	8	M4	6,000	0.08	CK-16
JGK2.5-5		20	2.8	8	M5		0.08	
JGK2.5-6		20	2.6	9	M6		0.1	
JGK4-4	4	19.5	3.2	8	M4	6,000	0.12	CK-16
JGK4-5		20.5	3.2	8	M5		0.1	
JGK4-6		22	3.2	9.3	M6		0.11	
JGK6-4	6	22	3.7	9.2	M4	3,000	0.14	CK-16
JGK6-5		22	3.7	9.2	M5		0.14	
JGK6-6		23	3.7	9.8	M6		0.14	
JGK6-8		24	3.7	12	M8		0.16	
JGK6-10		24	3.7	12.8	M10		0.14	
JGK10-6	10	24	4.5	10.3	M6	2,500	0.21	CK-16
JGK10-8		25	4.5	12	M8		0.2	
JGK10-10		26.5	4.5	13.2	M10		0.22	
JGK16-6	16	27.5	5.7	11	M6	1,600	0.31	CK-16
JGK16-8		29.5	5.7	12.5	M8		0.32	
JGK16-10		30	5.7	14	M10		0.33	
JGK25-6	25	32.5	7.2	13.1	M6	1,000	0.55	MT25
JGK25-8		33	7.2	13.1	M8		0.55	
JGK25-10		34	7.2	14.5	M10		0.5	
JGK25-12		37	7.2	16.5	M12		0.51	
JGK35-6	35	36	8.5	15.8	M6	600	0.91	MT35
JGK35-8		37	8.5	15.8	M8		0.88	
JGK35-10		38	8.5	15.8	M10		0.85	
JGK35-12		38	8.5	17.4	M12		0.85	

JGK, Copper Crimp Lug

Type	Conductor Size (mm ²)	Dimension			Stud Size	Pack(pcs)	Weight (Kg) 100pcs	Crimping Tool/Die
		L(mm)	d(mm)	B(mm)				
JGK50-6	50	41	9.8	18.1	M6	400	1.39	MT50
JGK50-8		42.5	9.8	18.1	M8		1.41	
JGK50-10		44	9.8	18.1	M10		1.44	
JGK50-12		44	9.8	18.3	M12		1.39	
JGK50-14		44	9.8	18.3	M14		1.35	
JGK70-6	70	48.5	11.5	21	M6	250	2.35	MT70
JGK70-8		48.5	11.5	21	M8		2.2	
JGK70-10		50	11.5	21	M10		2.32	
JGK70-12		50	11.5	21	M12		2.17	
JGK70-14		50	11.5	21	M14		1.98	
JGK70-16		50	11.5	23	M16		1.88	
JGK95-8	95	57	13.7	24.8	M8	160	3.56	MT95
JGK95-10		57	13.7	24.8	M10		3.44	
JGK95-12		57	13.7	24.8	M12		3.32	
JGK95-14		57	13.7	24.8	M14		3.12	
JGK95-16		57	13.7	26	M16		3.07	
JGK120-8	120	61.5	15	27.5	M8	120	5.07	MT120
JGK120-10		61.5	15	27.5	M10		5.1	
JGK120-12		63	15	27.5	M12		5.1	
JGK120-14		63	15	27.5	M14		4.8	
JGK120-16		63.5	15	27.5	M16		4.68	
JGK120-20		67.5	15	32	M20		4.74	
JGK150-8	150	71	16.7	30	M8	90	7.14	MT150
JGK150-10		71	16.7	30	M10		7.02	
JGK150-12		71	16.7	30	M12		6.93	
JGK150-14		71	16.7	30	M14		6.79	
JGK150-16		71	16.7	30	M16		6.51	
JGK150-20		71	16.7	30	M20		6.1	

Type	Conductor Size (mm ²)	Dimension			Stud Size	Pack(pcs)	Weight (Kg) 100pcs	Crimping Tool/Die
		L(mm)	d(mm)	B(mm)				
JGK185-10	185	77	19.2	34	M10	70	8.58	MT185
JGK185-12		77	19.2	34	M12		8.69	
JGK185-14		77.5	19.2	34	M14		8.89	
JGK185-16		79	19.2	34	M16		8.62	
JGK185-18		79	19.2	34	M18		8.53	
JGK185-20		79	19.2	34	M20		8.31	
JGK240-10	240	89.5	21	37.4	M10	50	13.18	MT240
JGK240-12		89.5	21	37.4	M12		12.87	
JGK240-14		90	21	37.4	M14		12.5	
JGK240-16		91	21	37.4	M16		13	
JGK240-20		92	21	37.4	M20		13.02	
JGK300-10	300	100	24	43.2	M10	30	21.13	MT300
JGK300-12		100	24	43.2	M12		20.26	
JGK300-16		100	24	43.2	M16		20.19	
JGK300-20		102	24	43.2	M20		19.42	
JGK300-22		102	24	43.2	M22		19.2	
JGK400-12	400	111	27	49	M12	20	30.2	MT400
JGK400-16		111	27	49	M16		29.04	
JGK400-18		113	27	49	M18		29.48	
JGK400-20		113	27	49	M20		29.6	
JGK500-16	500	123	30	55	M16	16	41.9	MT500
JGK500-20		123	30	55	M20		41.7	
JGK630-16	630	135	35	64	M16	9	62.03	MT630
JGK630-20		135	35	64	M20		61	
JGK630-22		135	35	64	M22		59.74	
JGK630-10/4		135	35	64	M10		60.4	
JGK630-14		135	35	64	M14		60.4	
JGK800	800	170	39	71.5	--	6	112.48	MT800
JGK800-16		170	39	71.5	M16		124.8	
JGK800-20		170	39	71.5	M20		108.95	
JGK800-22		170	39	71.5	M22		108	
JGK1000	1000	200	44	81	--	4	160.1	MT1000
JGK1000-20		200	44	81	M20		143	